

GENERAL INFORMATION

- When installing this product, the pipes must be flushed clean where the product is being installed.
- The water pressure must be tested. Where the water pressure exceeds 1000Kpa, an approved pressure reducing valve must be fitted.
- Always fit isolating taps to the hot and cold inlet connections in accordance with national plumbing code AS3500.
- Ensure the hoses are not twisted or stretched, are not under tension and not bent to a radius less than 25mm when being installed.
- If the water temperature exceeds 80°C an approved water tempering valve must be fitted.
- just for domestic use, not for commercial use.

Failure to comply with all of the above instructions will void all warranties.

The warranty will not apply if:

- The product has been damaged through misuse, neglect accident;
- The product has not been used in accordance with any applicable instruction guide;
- The purchaser has attempted to modify or repair the product;
- The product is not installed by a Registered Plumber.

INSTALLATION MANUAL SHOWERS

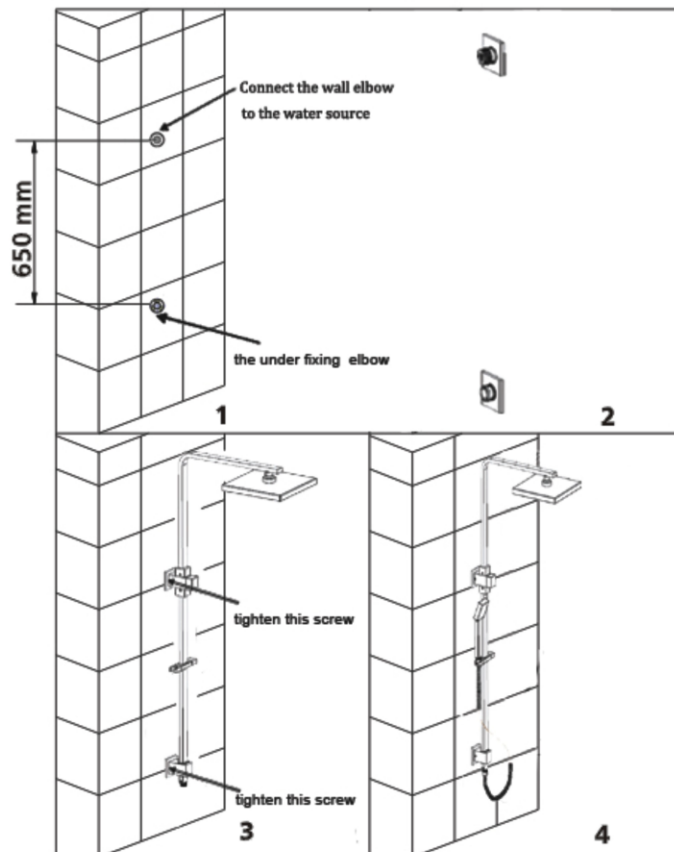
TWO IN ONE SHOWER UNIT (ONE HOSE)

INSTALLATION INSTRUCTIONS

- 1. Connect the wall elbow to the water source on the wall, and install the under fixing elbow with screw;**
- 2. Put the two cover plates to the two elbows;**
- 3. Then install the shower rail to the wall with tighten screws;**
- 4. Connect the handle shower with hose.**

**Please be careful during installation.
Avoid scratching the two in one shower unit .**

two in one shower unit



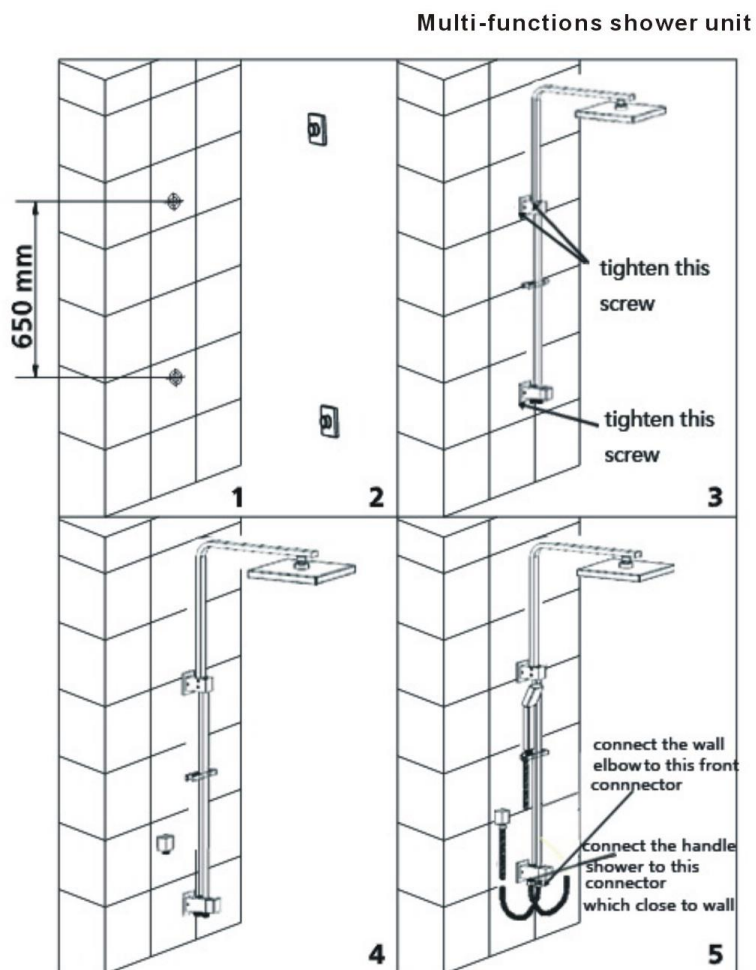
GENERAL INFORMATION

The water pressure must be tested. Where the water pressure exceeds 1000Kpa, an approved pressure reducing valve must be fitted.

The warranty will not apply if:

- The product has been damaged through misuse, neglect accident;
- The product has not been used in accordance with any applicable instruction guide;
- The purchaser has attempted to modify or repair the product;
- The product is not installed by a Registered Plumber.

MULTI-FUNCTIONS SHOWER UNIT(TWO HOSES)



INSTALLATION INSTRUCTIONS

1. Install the fixing base on the wall;
2. Install the decor cover on the fixing base;
3. Install the shower rail on the fixing base and tighten it with screw;
4. Install the elbow to the water source on the wall;
5. Connect the handle shower to the connector which close to wall with hose, and connect the wall elbow to the front connector with hose.

**Please be careful during installation.
Avoid scratching the shower column set.**

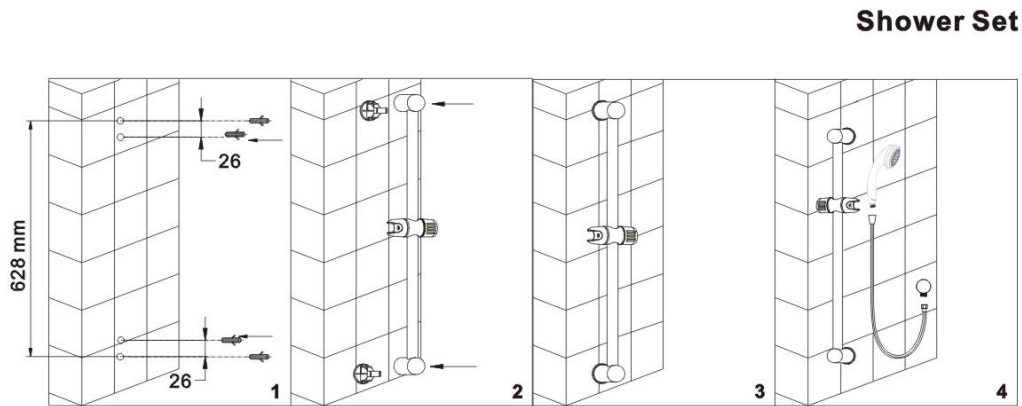
GENERAL INFORMATION

The water pressure must be tested. Where the water pressure exceeds 1000Kpa, an approved pressure reducing valve must be fitted.

The warranty will not apply if:

- The product has been damaged through misuse, neglect accident;
- The product has not been used in accordance with any applicable instruction guide;
- The purchaser has attempted to modify or repair the product;
- The product is not installed by a Registered Plumber.

SHOWER SET

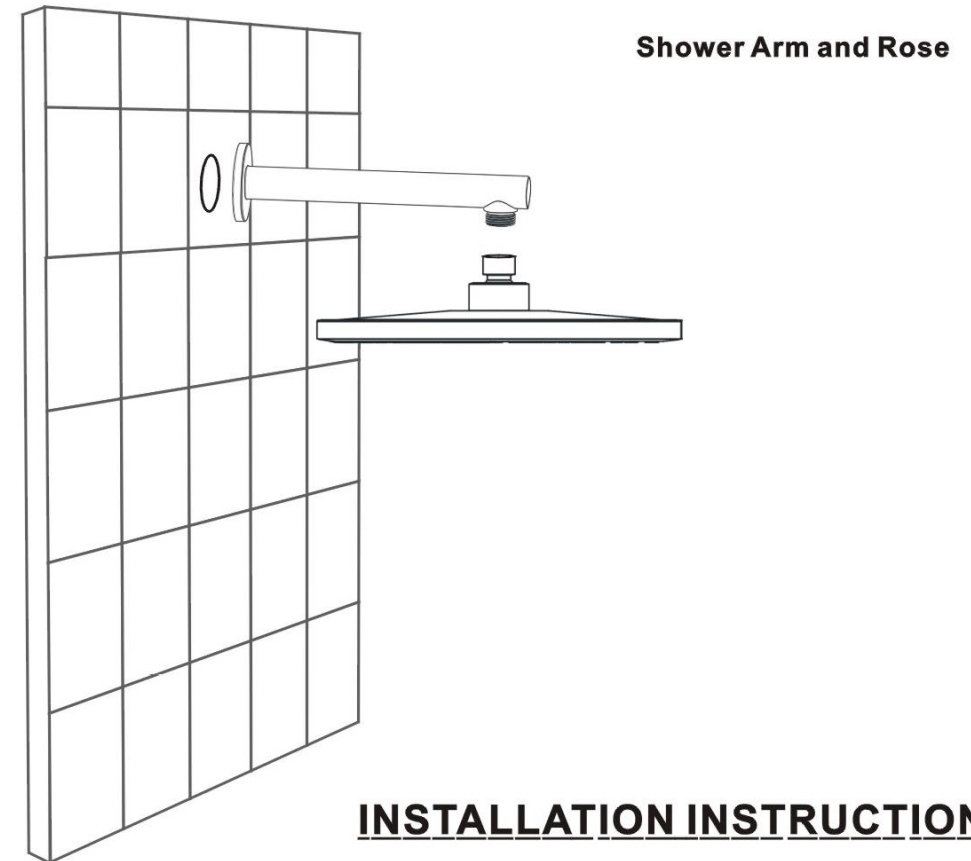


INSTALLATION INSTRUCTIONS

1. Mark and drill holes according to the dimensions indicated in FIGURE 1;
Distance: 628mm
Holes: DIA 6mm Depth 20mm. (RECOMMENDED)
Insert wall anchors into the holes.
2. Screw both wall brackets onto the wall;
3. Attach the sliding bar onto wall bracket;
4. Install the elbow to the wall then connect the hose and shower head.

**Please be careful during installation.
Avoid scratching the shower set.**

SHOWER ARM AND ROSE



INSTALLATION INSTRUCTIONS

1. Install the shower arm to the wall;
2. Install the shower rose to the shower arm.